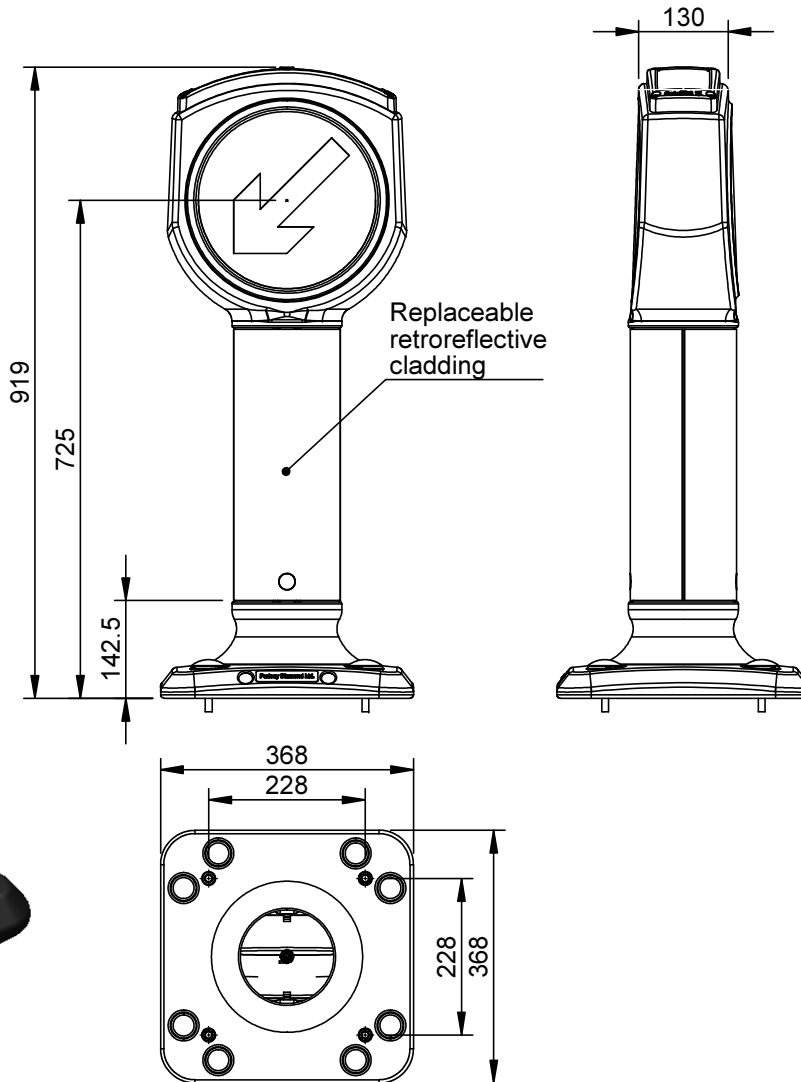
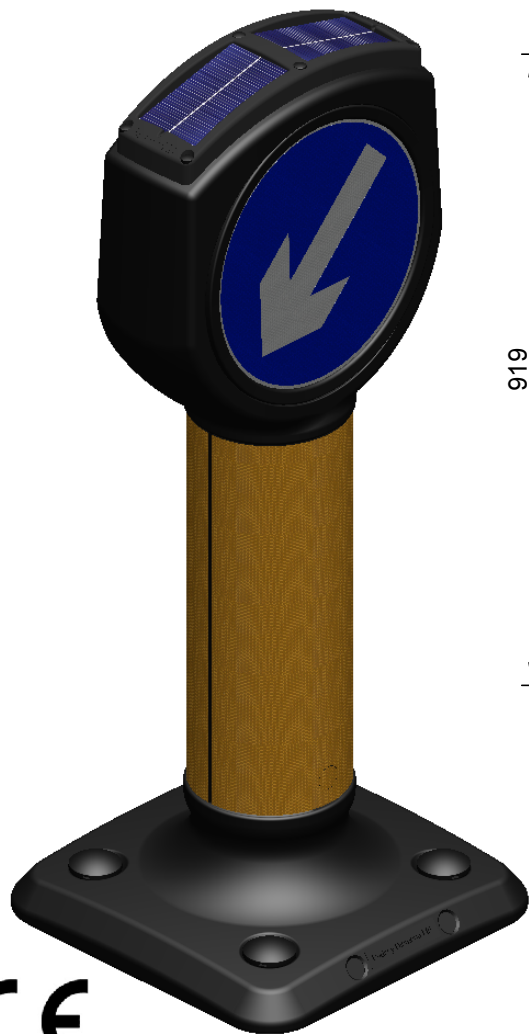


REV. RECORD
Iss. P. CIN. B27
Date: 02/05/17



Replaceable
retroreflective
cladding



Technical Specification

BS EN 12899:2007	Clause	Notes
Deflection	4.3.1.3	0° - 3.67%
		180° - 7.11%
Low impact	4.3.2.1	0° - 0%
		90° - 0.56%
		180° - 0.22%
		270° - 0.33%
High impact	4.3.2.2.3	0° - 3.67%
Chromaticity & luminance factor:	4.2.2	Class B2
Retroreflectivity	4.2.2	Class CR2
Mean Luminance	4.2.3.2.1	L1
Luminance Contrast	4.2.3.2.1	5.5
Uniformity of Luminance	4.2.3.2.1	U2
BS 8442:2015	Clause	Notes
Projected Area (Front):	13.1.5	94542mm ²
Projected Area (Side):	13.1.5	94542mm ²
Photometric Performance	13.2.2	Compliant
Adhesion to Substrate	13.3.1	Compliant
Corrosion Resistance (Body)	13.3.2	SP2
Corrosion Resistance (Fixings)	13.3.2	SP1

Additional Information

*5 year materials and workmanship warranty
 Passively Safe: Passed in house impact testing at 50Kph
 Removable retroreflective cladding for easy replacement after impact damage
 Made from 100% recyclable materials (excluding retroreflective panels)

Options

Double aspect signage available (rear reflective panels)
 Anti graffiti conspicuity panels available
 Range of fixing options available
 Tamperproof fixing option available on request

* 5 year warranty subject to terms and conditions, contact Pudsey Diamond Engineering for details

Standard sign aspect variants



NOTES: (1) ALL DIMENSIONS IN mm. (2) REMOVE ALL BURRS AND SHARP EDGES.

© 2017 PUDSEY DIAMOND ENGINEERING LTD. ALL RIGHTS RESERVED. THIS DOCUMENT OR ANY PART THEREOF MAY NOT BE REPRODUCED, STORED IN A RETRIEVAL SYSTEM OR TRANSMITTED IN ANY WAY WITHOUT WRITTEN PERMISSION FROM PUDSEY DIAMOND ENGINEERING LTD.

LINEAR TOLERANCES UNLESS OTHERWISE STATED: X.00 = ±0.15 X.0 = ±0.50 X = ±5.00		ANGULAR TOLERANCES UNLESS OTHERWISE STATED: X.00° = ±0.15° X.0° = ±0.50° X° = ±1.00°		MATERIAL: SPEC:	
DATE: 23/01/15		SCALE:		FINISH:	
DRAWN: WH		CHECKED:		3RD ANGLE PROJECTION	
TEL: 01264 336677 FAX: 01264 336688 E-MAIL: SALES@PUDSEYDIAMOND.COM WEBSITE: WWW.PUDSEYDIAMOND.COM					

