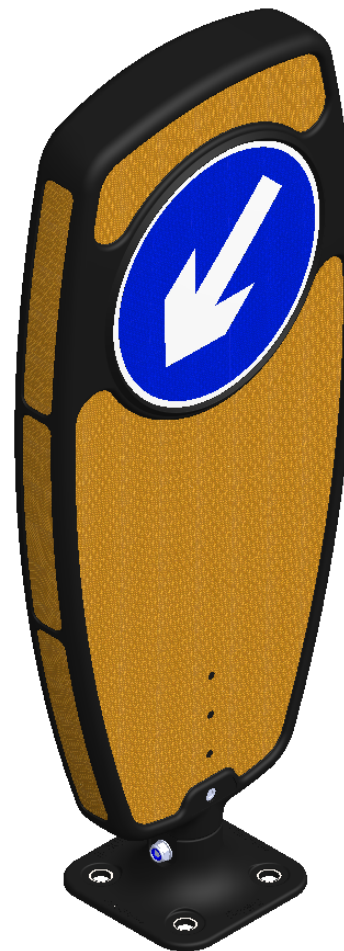
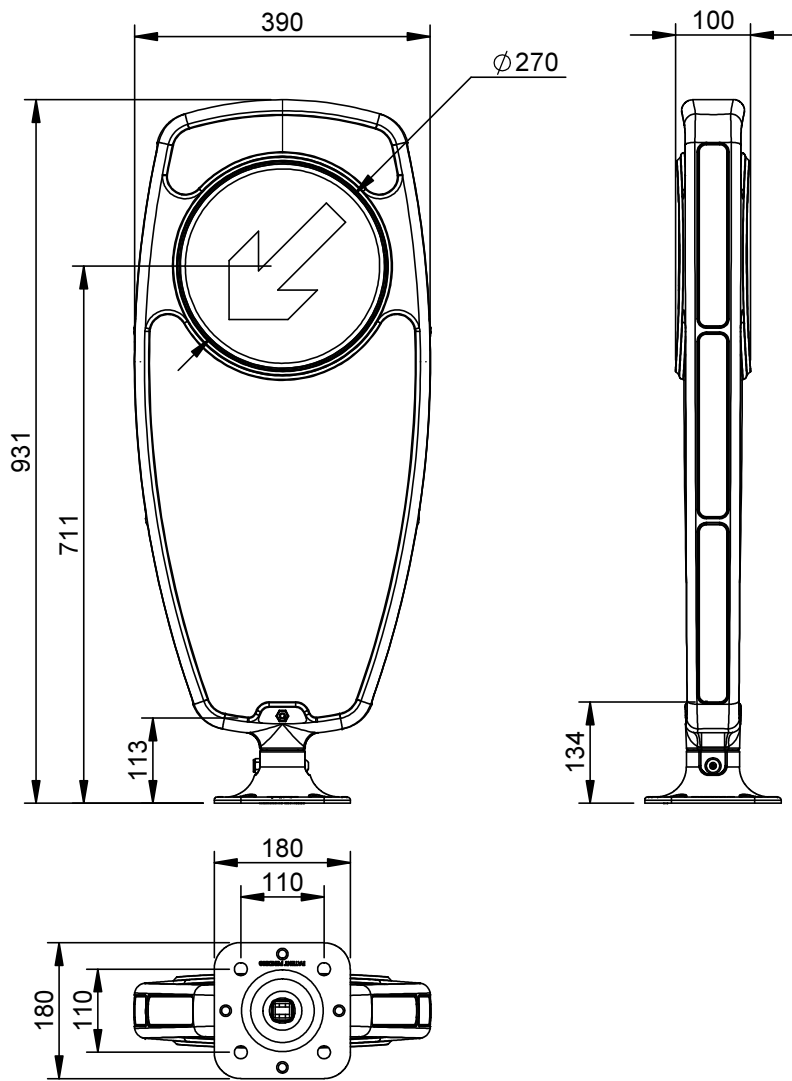


REV. RECORD



**Technical Specification**

BS 8442:2015	Clause	Notes
RSRB Type:	13.1.1	Type A
Design:	13.1.2	Compliant
Height:	13.1.3	931mm
Body:	13.1.4	Compliant
Projected Area (Front):	13.1.5	212280mm <sup>2</sup>
Projected Area (Side):	13.1.5	22270mm <sup>2</sup>
Chromaticity:	13.2.1	Compliant
Photometric Performance	13.2.2	Compliant
Adhesion to Substrate	13.3.1	Compliant
Corrosion Resistance (Body)	13.3.2	SP2
Corrosion Resistance (Fixings)	13.3.2	SP1

**Additional Information**

5 year materials and workmanship warranty  
 Passively Safe: Passed in-house impact testing to 50Kph (videos available upon request)  
 Recessed panels to give added protection on impact  
 Made from 100% recyclable materials (excluding retroreflective panels)

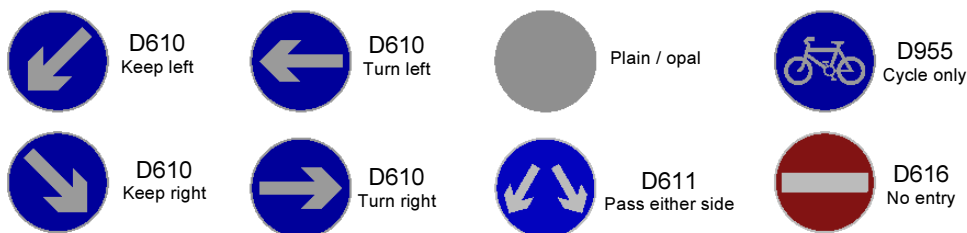
**Options**

Double aspect signage available (rear reflective panels)  
 Available in either black or white  
 Range of fixing options available  
 Tamperproof fixing option available on request

**Reduced Replacement cost**

Quick and easy replacement of bollard top via a single attachment bolt.  
**Reduces replacement cost by 30%**

**Standard sign aspect variants**



NOTES: (1) ALL DIMENSIONS IN mm. (2) REMOVE ALL BURRS AND SHARP EDGES.

© 2015 PUDSEY DIAMOND ENGINEERING LTD. ALL RIGHTS RESERVED. THIS DOCUMENT OR ANY PART THEREOF MAY NOT BE REPRODUCED, STORED IN A RETRIEVAL SYSTEM OR TRANSMITTED IN ANY WAY WITHOUT WRITTEN PERMISSION FROM PUDSEY DIAMOND ENGINEERING LTD.

LINEAR TOLERANCES UNLESS OTHERWISE STATED: X.00 = ±0.15 X.0 = ±0.50 X = ±5.00		ANGULAR TOLERANCES UNLESS OTHERWISE STATED: X.00° = ±0.15° X.0° = ±0.50° X° = ±1.00°		MATERIAL:	
DATE: 06/01/16		SCALE:		SPEC: SEE NOTES	
DRAWN: WH		CHECKED: **		FINISH:	