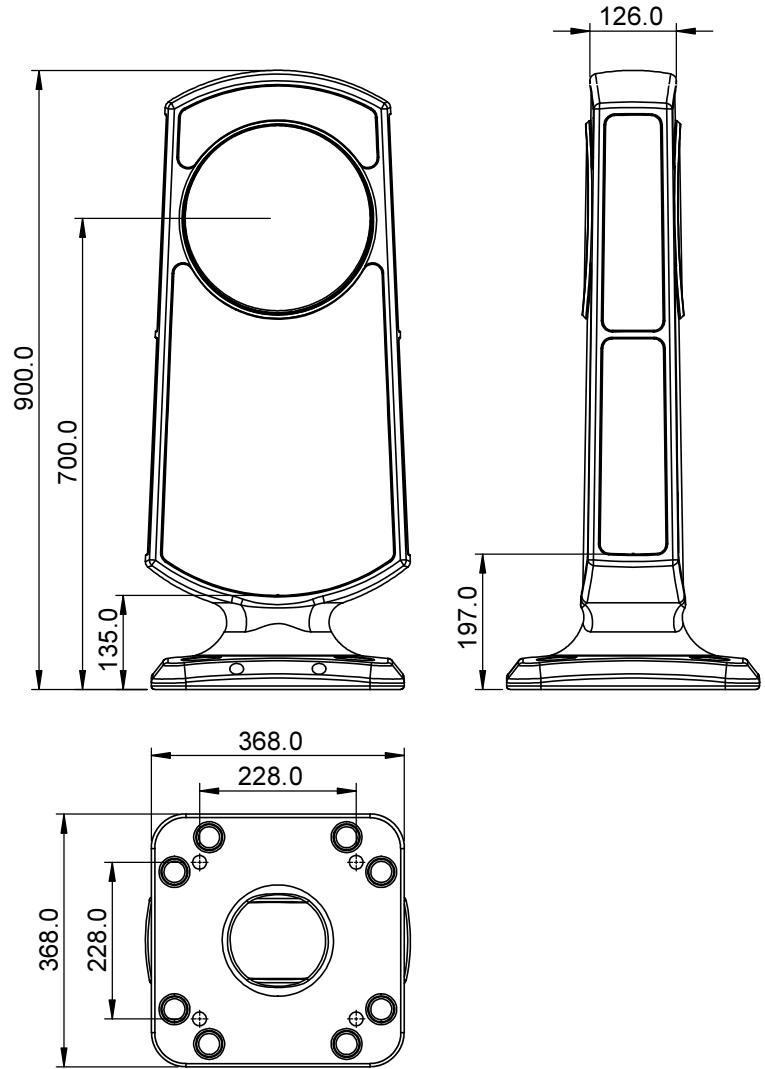
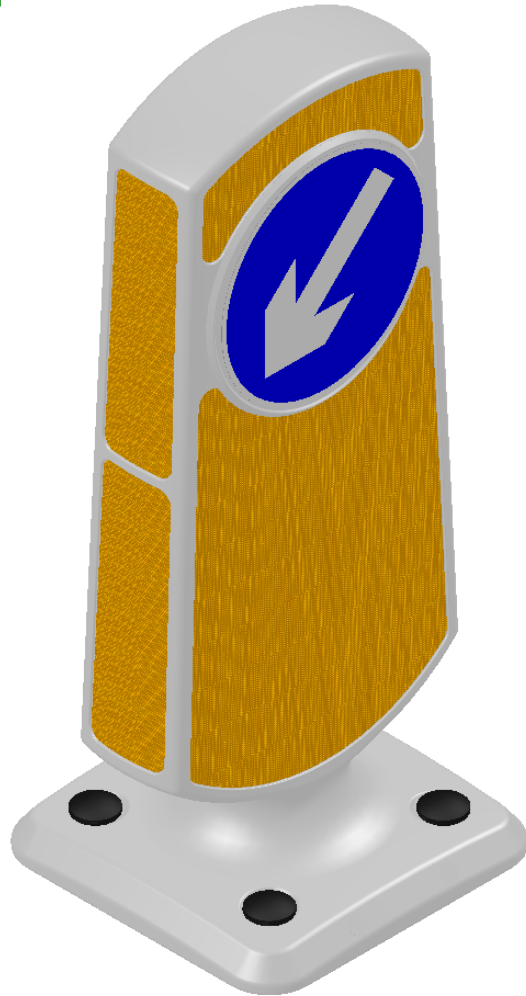


REV. RECORD  
Iss. P. C/N 822  
Date: 02/05/17



Technical Specification		
BS 8442:2015	Clause	Notes
RSRB Type:	13.1.1	Type A
Design:	13.1.2	Compliant
Height:	13.1.3	900mm
Body:	13.1.4	Compliant
Projected Area (Front):	13.1.5	162528mm <sup>2</sup>
Projected Area (Side):	13.1.5	56215mm <sup>2</sup>
Chromaticity:	13.2.1	Compliant
Photometric Performance	13.2.2	Compliant
Adhesion to Substrate	13.3.1	Compliant
Corrosion Resistance (Body)	13.3.2	SP2
Corrosion Resistance (Fixings)	13.3.2	SP1

Additional Information
*5 year materials and workmanship warranty
Passively Safe: Passed BS EN 12767:2007 with a rating of 100/NE/4
Recessed panels to give added protection on impact
Made from 100% recyclable materials (excluding retroreflective panels)

Options
Double aspect signage available (rear reflective panels)
Available in either black or white
Anti graffiti conspicuity panels available
Range of fixing options available
Tamperproof fixing option available on request

\* 5 year warranty subject to terms and conditions, contact Pudsey Diamond Engineering for details

**Standard sign aspect variants**



NOTES: (1) ALL DIMENSIONS IN mm. (2) REMOVE ALL BURRS AND SHARP EDGES.

© 2017 PUDSEY DIAMOND ENGINEERING LTD. ALL RIGHTS RESERVED. THIS DOCUMENT OR ANY PART THEREOF MAY NOT BE REPRODUCED, STORED IN A RETRIEVAL SYSTEM OR TRANSMITTED IN ANY WAY WITHOUT WRITTEN PERMISSION FROM PUDSEY DIAMOND ENGINEERING LTD.

LINEAR TOLERANCES UNLESS OTHERWISE STATED: X.00 = ±0.15 X.0 = ±0.50 X = ±5.00	ANGULAR TOLERANCES UNLESS OTHERWISE STATED: X.00° = ±0.15° X.0° = ±0.50° X° = ±1.00°	MATERIAL:
DATE: 09/11/09	SCALE:	SPEC:
DRAWN: BD	CHECKED: BD	FINISH:

3RD ANGLE PROJECTION

TEL: 01264 336677 FAX: 01264 336688 E-MAIL: SALES@PUDSEYDIAMOND.COM WEBSITE: WWW.PUDSEYDIAMOND.COM