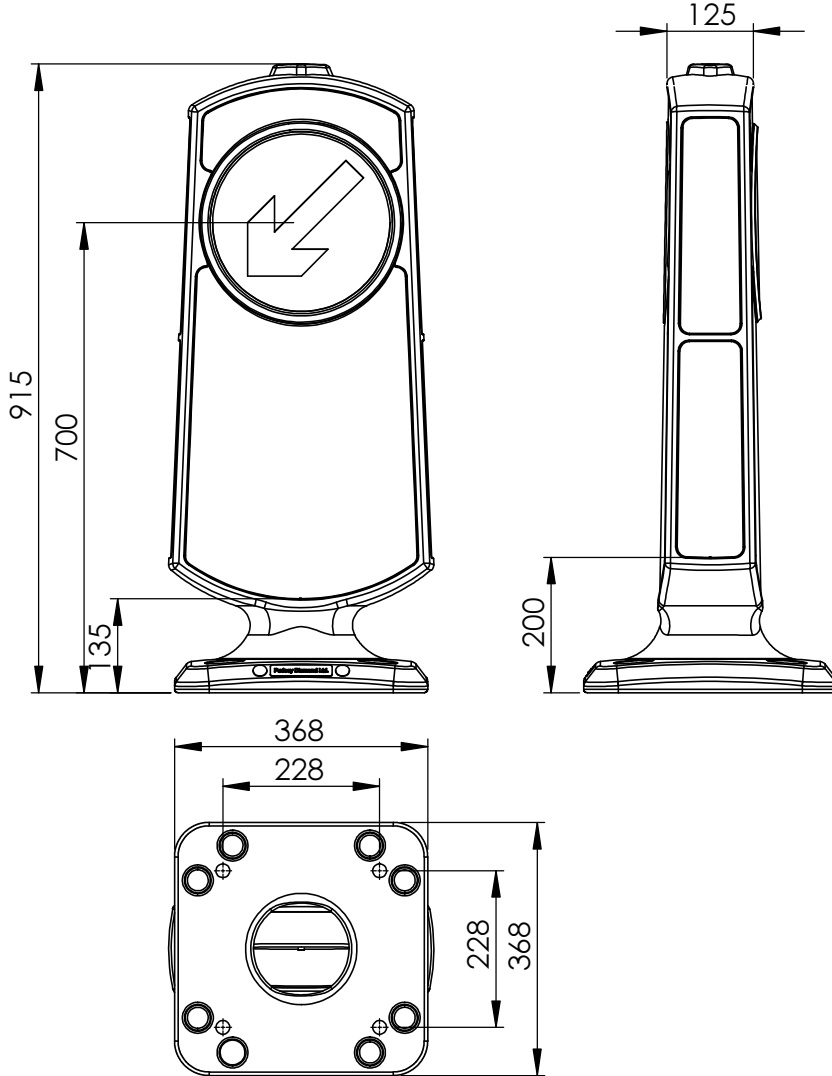
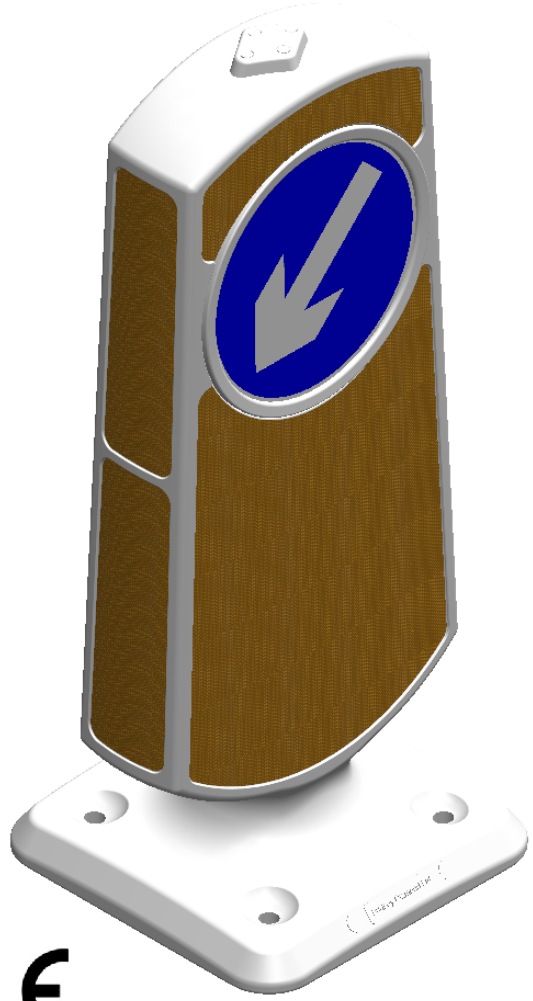


REV. RECORD
Iss: E, CIN: 622
Date: 02/05/17



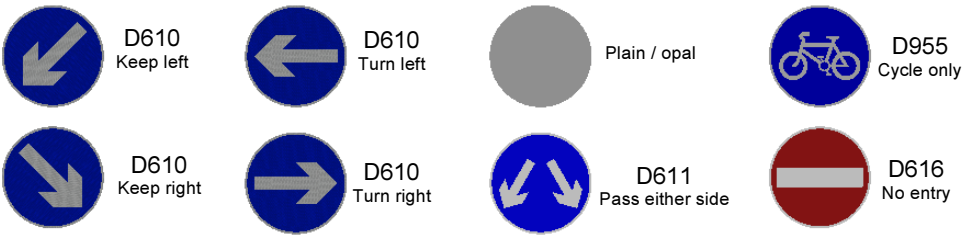
* 5 year warranty subject to terms and conditions, contact Pudsey Diamond Engineering for details
** Passive safety test results taken from the Solaboll bollard tests which is considered the worst case in the product family

Technical Specification		
BS 8442:2015	Clause	Notes
RSRB Type:	13.1.1	Type A
Design:	13.1.2	Compliant
Height:	13.1.3	915mm
Body:	13.1.4	Compliant
Projected Area (Front):	13.1.5	162528mm ²
Projected Area (Side):	13.1.5	56215mm ²
Chromaticity:	13.2.1	Compliant
Photometric Performance	13.2.2	Compliant
Adhesion to Substrate	13.3.1	Compliant
Corrosion Resistance (Body)	13.3.2	SP2
Corrosion Resistance (Fixings)	13.3.2	SP1
BS EN 12899-2:2007	Clause	Notes
Deflection	4.3.1.3	0° - 2.00%
		180° - 3.22%
Low Impact	4.3.2.1	0° - 0.33%
		90° - 0.44%
		180° - 0.56%
		270° - 0.56%
High Impact	4.3.2.2.3	0° - 2.44%
Chromaticity & luminance factor	4.2.2	Class B2
Retroreflectivity	4.2.2	Class CR2
Mean Luminance	4.2.3.2.1	L2
Luminance Contrast	4.2.3.2.1	5.1
Uniformity of Luminance	4.2.3.2.1	U2

Additional Information
*5 year materials and workmanship warranty
**Passed BS EN 12767:2007 with a rating of 70/NE/3
Recessed panels to give added protection on impact
Made from 100% recyclable materials (excl retroreflective panels)

Options
Double aspect signage available (rear reflective panels)
Range of fixing options available
Tamperproof fixing option available on request

Standard sign aspect variants



NOTES: (1) ALL DIMENSIONS IN mm. (2) REMOVE ALL BURRS AND SHARP EDGES.

© 2017 PUDSEY DIAMOND ENGINEERING LTD. ALL RIGHTS RESERVED. THIS DOCUMENT OR ANY PART THEREOF MAY NOT BE REPRODUCED, STORED IN A RETRIEVAL SYSTEM OR TRANSMITTED IN ANY WAY WITHOUT WRITTEN PERMISSION FROM PUDSEY DIAMOND ENGINEERING LTD.

LINEAR TOLERANCES UNLESS OTHERWISE STATED: X.00 = ±0.15 X.0 = ±0.50 X = ±5.00	ANGULAR TOLERANCES UNLESS OTHERWISE STATED: X.00° = ±0.15° X.0° = ±0.50° X° = ±1.00°	MATERIAL: SPEC:
DATE: 09/12/13	SCALE:	FINISH:
DRAWN: WH	CHECKED: BD	3RD ANGLE PROJECTION

TEL: 01264 336677 FAX: 01264 336688 E-MAIL: SALES@PUDSEYDIAMOND.COM WEBSITE: WWW.PUDSEYDIAMOND.COM