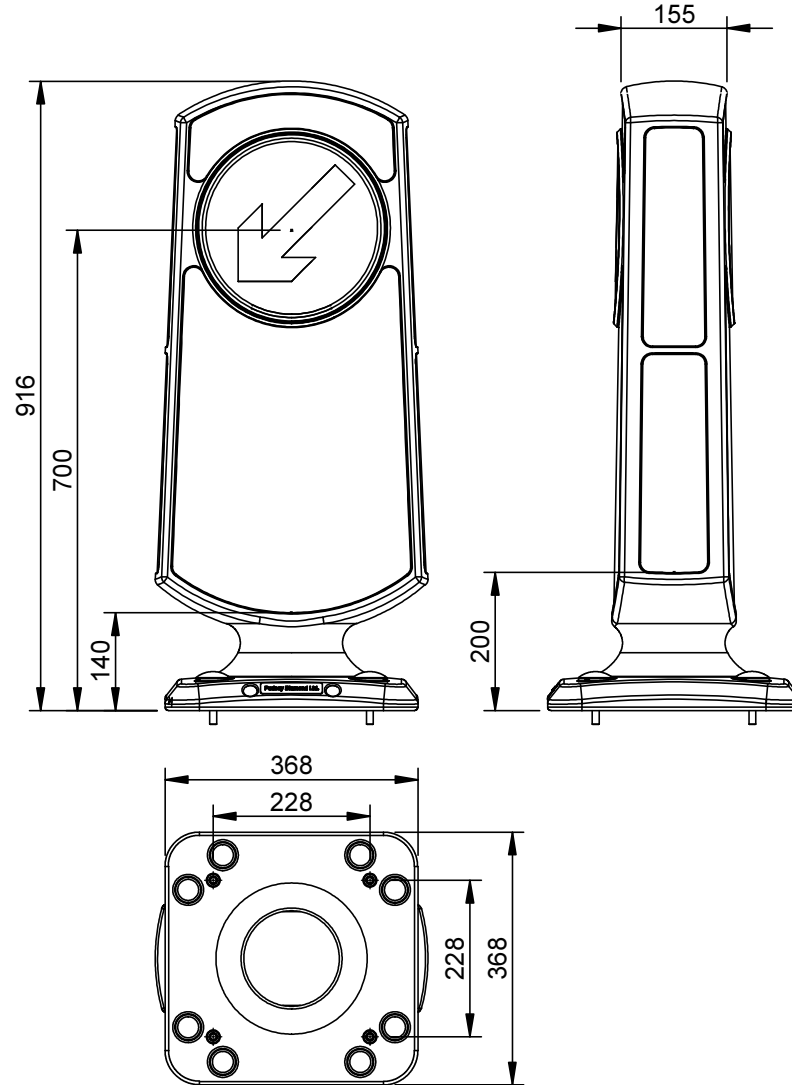
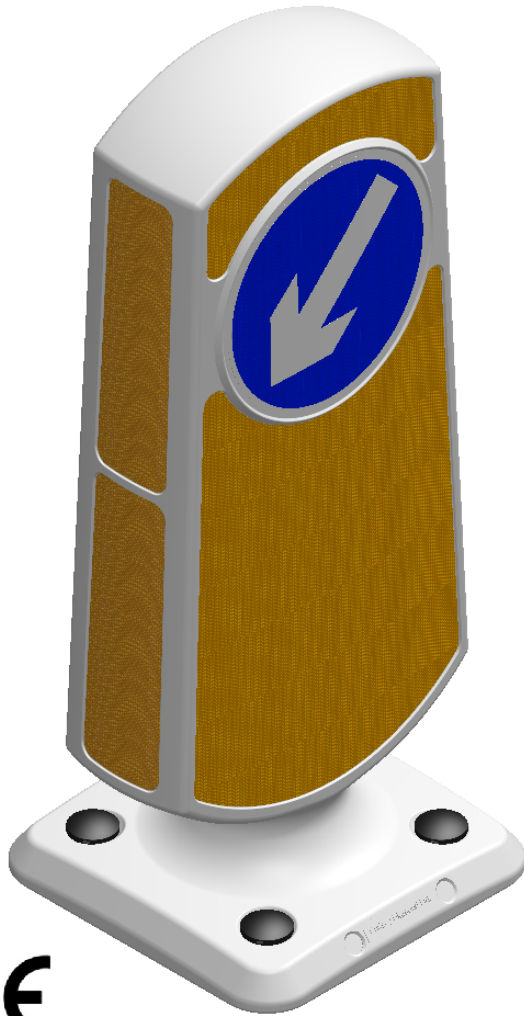


REV. RECORD:  
Iss: P/CIN/822  
Date: 02/05/17



Technical Specification		
BS 8442:2015	Clause	Notes
RSRB Type:	13.1.1	Type A
Design:	13.1.2	Compliant
Height:	13.1.3	916mm
Body:	13.1.4	Compliant
Projected Area (Front):	13.1.5	162528mm <sup>2</sup>
Projected Area (Side):	13.1.5	56215mm <sup>2</sup>
Chromaticity:	13.2.1	Compliant
Photometric Performance	13.2.2	Compliant
Adhesion to Substrate	13.3.1	Compliant
Corrosion Resistance (Body)	13.3.2	SP2
Corrosion Resistance (Fixings)	13.3.2	SP1
BS EN 12899-2:2007	Clause	Notes
Deflection	4.3.1.3	0° - 2.11%
		180° - 4.44%
Low Impact	4.3.2.1	0° - 0.56%
		90° - 0.44%
		180° - 0.56%
High Impact	4.3.2.2.3	270° - 0.44%
		0° - 2.67%
Chromaticity & luminance factor	4.2.2	Class B2
Retroreflectivity	4.2.2	Class CR2

Additional Information
*5 year materials and workmanship warranty
Recessed panels to give added protection on impact
Made from 100% recyclable materials (excl retroreflective panels)
Retrofittable to most existing base lights
Can be used as either base lit or retroreflective bollard

Options
Double aspect signage available (rear reflective panels)
Range of fixing options available
Tamperproof fixing option available on request

\* 5 year warranty subject to terms and conditions, contact Pudsey Diamond Engineering for details

**Standard sign aspect variants**



NOTES: (1) ALL DIMENSIONS IN mm. (2) REMOVE ALL BURRS AND SHARP EDGES.

© 2017 PUDSEY DIAMOND ENGINEERING LTD. ALL RIGHTS RESERVED. THIS DOCUMENT OR ANY PART THEREOF MAY NOT BE REPRODUCED, STORED IN A RETRIEVAL SYSTEM OR TRANSMITTED IN ANY WAY WITHOUT WRITTEN PERMISSION FROM PUDSEY DIAMOND ENGINEERING LTD.

LINEAR TOLERANCES UNLESS OTHERWISE STATED: X.00 = ±0.15 X.0 = ±0.50 X = ±5.00	ANGULAR TOLERANCES UNLESS OTHERWISE STATED: X.00° = ±0.15° X.0° = ±0.50° X° = ±1.00°	MATERIAL: SPEC:
DATE: 17/06/15	SCALE:	FINISH:
DRAWN: WH	CHECKED:	3RD ANGLE PROJECTION

TEL: 01264 336677    FAX: 01264 336688    E-MAIL: SALES@PUDSEYDIAMOND.COM    WEBSITE: WWW.PUDSEYDIAMOND.COM