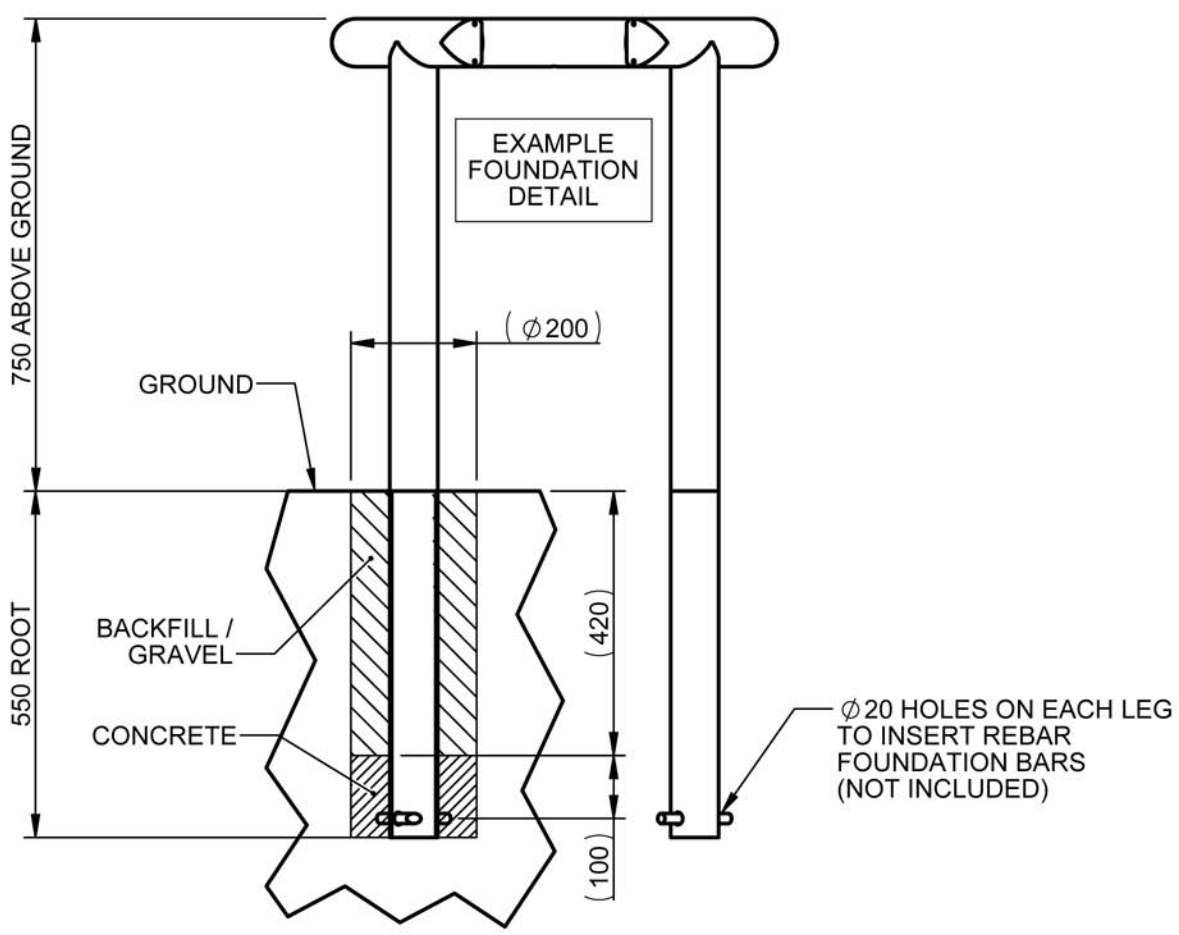
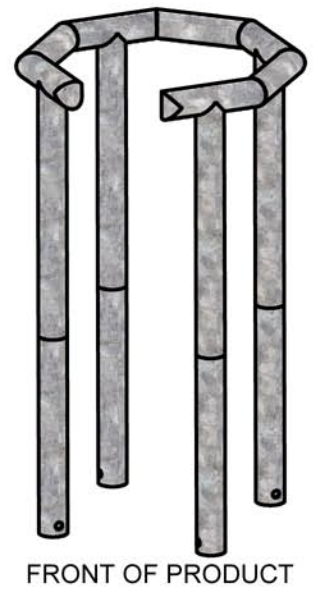
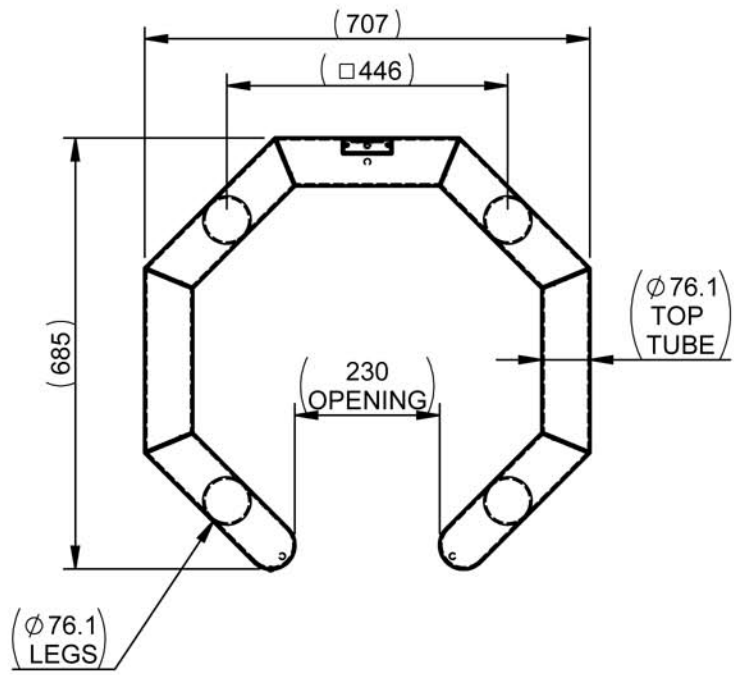


REV. RECORD



NOTES: (1) ALL DIMENSIONS IN mm. (2) REMOVE ALL BURRS AND SHARP EDGES.

© 2015 PUDSEY DIAMOND ENGINEERING LTD. ALL RIGHTS RESERVED. THIS DOCUMENT OR ANY PART THEREOF MAY NOT BE REPRODUCED, STORED IN A RETRIEVAL SYSTEM OR TRANSMITTED IN ANY WAY WITHOUT WRITTEN PERMISSION FROM PUDSEY DIAMOND ENGINEERING LTD.

LINEAR TOLERANCES UNLESS OTHERWISE STATED: -	ANGULAR TOLERANCES UNLESS OTHERWISE STATED: -	MATERIAL: AS PER JOBCARD
		SPEC: AS PER JOBCARD
DATE: 25/07/17	SCALE: N.T.S	FINISH: AS PER JOBCARD
DRAWN: GT	CHECKED: IG	3RD ANGLE PROJECTION

