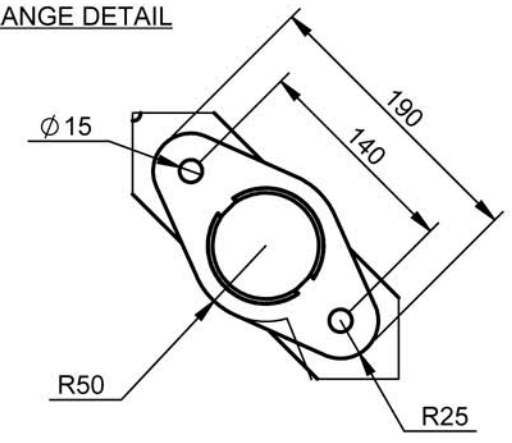

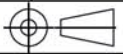


FLANGE DETAIL



NOTES: (1) ALL DIMENSIONS IN mm. (2) REMOVE ALL BURRS AND SHARP EDGES.

© 2017 PUDSEY DIAMOND ENGINEERING LTD. ALL RIGHTS RESERVED. THIS DOCUMENT OR ANY PART THEREOF MAY NOT BE REPRODUCED, STORED IN A RETRIEVAL SYSTEM OR TRANSMITTED IN ANY WAY WITHOUT WRITTEN PERMISSION FROM PUDSEY DIAMOND ENGINEERING LTD.

LINEAR TOLERANCES UNLESS OTHERWISE STATED:	ANGULAR TOLERANCES UNLESS OTHERWISE STATED:	MATERIAL: MILD STEEL	
-	-	SPEC: S235 MINIMUM	
DATE: 18/08/2017	SCALE: NTS	FINISH: GALVANISED	
DRAWN: HE	CHECKED: GT	 3RD ANGLE PROJECTION	
TEL: 01264 336677 FAX: 01264 336688		E-MAIL: SALES@PUDSEYDIAMOND.COM WEBSITE: WWW.PUDSEYDIAMOND.COM	