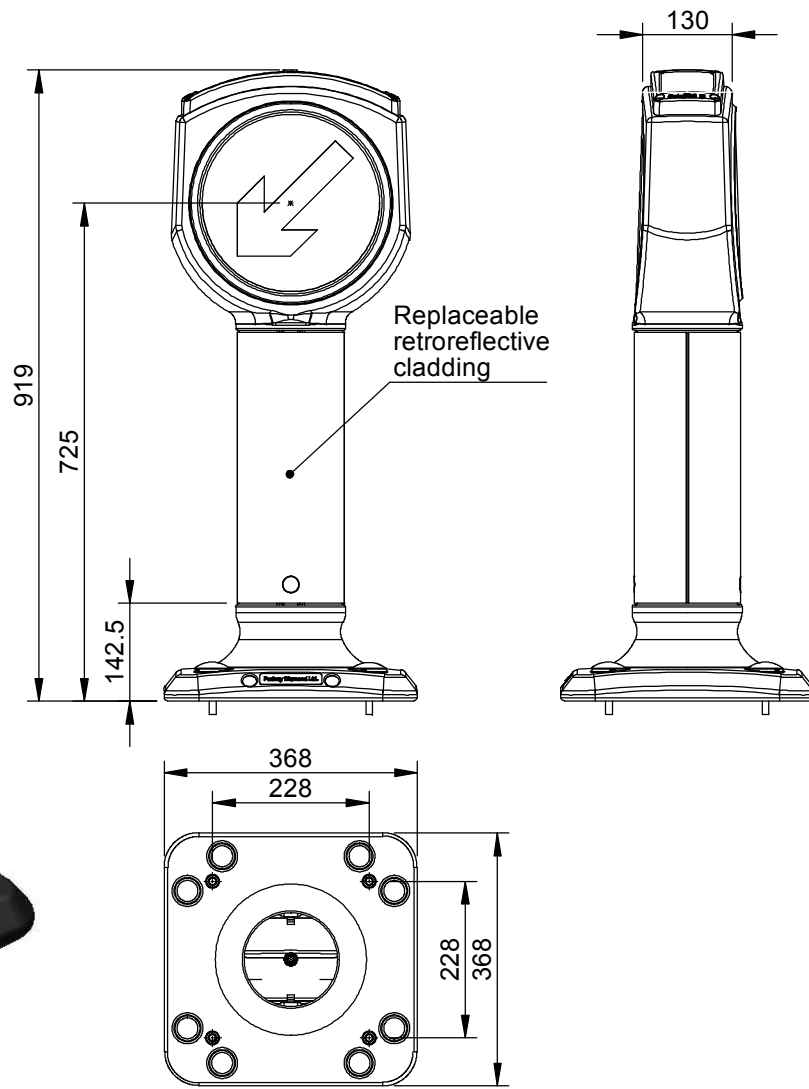
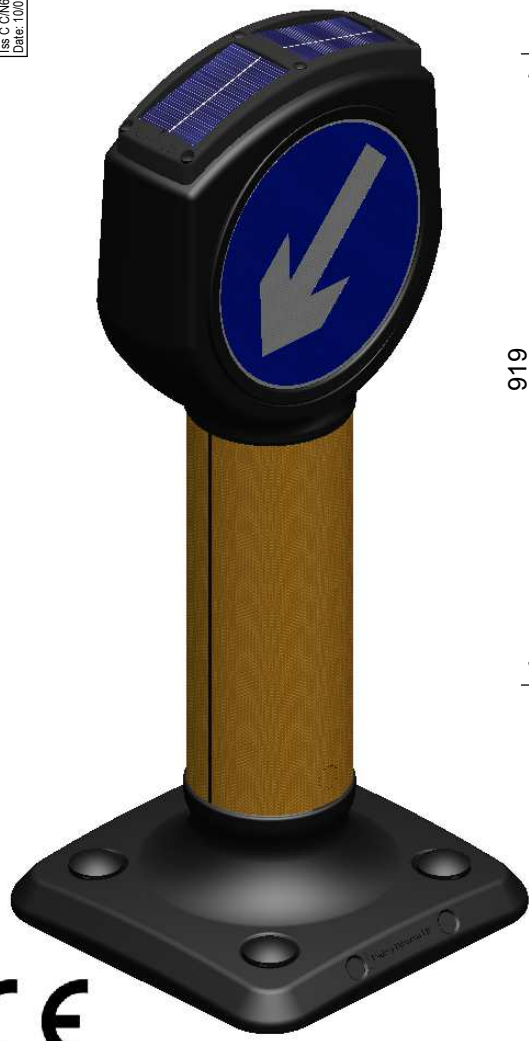


REV. RECORD  
Iss B CON 622  
Date: 02/05/17  
Iss C CON 644  
Date: 1/00/1718



Replaceable  
retroreflective  
cladding



**Technical Specification**

BS EN 12899:2007	Clause	Notes
Deflection	4.3.1.3	0° - 3.67%
		180° - 7.11%
Low impact	4.3.2.1	0° - 0%
		90° - 0.56%
		180° - 0.22%
		270° - 0.33%
High impact	4.3.2.2.3	0° - 3.67%
Chromaticity & luminance factor:	4.2.2	Class B2
Retroreflectivity	4.2.2	Class CR2
Mean Luminance	4.2.3.2.1	L1
Luminance Contrast	4.2.3.2.1	5.5
Uniformity of Luminance	4.2.3.2.1	U2
BS 8442:2015	Clause	Notes
Projected Area (Front):	13.1.5	94542mm <sup>2</sup>
Projected Area (Side):	13.1.5	94542mm <sup>2</sup>
Photometric Performance	13.2.2	R3B
Adhesion to Substrate	13.3.1	Compliant
Corrosion Resistance (Body)	13.3.2	SP2
Corrosion Resistance (Fixings)	13.3.2	SP1

**Additional Information**

\*5 year materials and workmanship warranty  
 Passively Safe: Passed BS EN 12767 50/NE/4  
 Removable retroreflective cladding for easy replacement after impact damage  
 Made from 100% recyclable materials (excluding retroreflective panels)

**Options**

Double aspect signage available (rear reflective panels)  
 Anti graffiti conspicuity panels available  
 Range of fixing options available  
 Tamperproof fixing option available on request

\* 5 year warranty subject to terms and conditions, contact Pudsey Diamond Engineering for details

**Standard sign aspect variants**

D610 Keep left	D610 Turn left	Plain / opal	D955 Cycle only
D610 Keep right	D610 Turn right	D611 Pass either side	D616 No entry

NOTES: (1) ALL DIMENSIONS IN mm. (2) REMOVE ALL BURRS AND SHARP EDGES.

© 2017 PUDSEY DIAMOND ENGINEERING LTD. ALL RIGHTS RESERVED. THIS DOCUMENT OR ANY PART THEREOF MAY NOT BE REPRODUCED, STORED IN A RETRIEVAL SYSTEM OR TRANSMITTED IN ANY WAY WITHOUT WRITTEN PERMISSION FROM PUDSEY DIAMOND ENGINEERING LTD.

LINEAR TOLERANCES UNLESS OTHERWISE STATED: X.00 = ±0.15 X.0 = ±0.50 X = ±5.00	ANGULAR TOLERANCES UNLESS OTHERWISE STATED: X.00° = ±0.15° X.0° = ±0.50° X° = ±1.00°	MATERIAL:  SPEC:
DATE: 23/01/15	SCALE:	FINISH:
DRAWN: WH	CHECKED:	3RD ANGLE PROJECTION

TEL: 01264 336677    FAX: 01264 336688    E-MAIL: SALES@PUDSEYDIAMOND.COM    WEBSITE: WWW.PUDSEYDIAMOND.COM

