



Brunel



Our Brunel pendant lantern remains in keeping with traditional heritage styling, allowing you to perfectly replicate street lighting from the past. Customise your lantern finish from the various shade and finial options available.

Image shown with LED Array optic with a top finial in the size small.

Each lantern is manufactured using carefully selected components and a skilful assembly.

Main Features:

- Tool-free access luminaire housing
- UKCA/CE Marked
- CB certified
- DALI enabled
- Available with pre-programmed dimming profile
- Luminaire frame tested to IP65
- Electrical compartment tested to IP66
- Optical compartment tested to IP66
- Impact tested to IK10
- Automotive-grade sealing gasket

Materials:

- 2mm spun aluminium housing
- Anti-vandal, UV resistant clear polycarbonate bowl

Technical:

- Nominal weight: 8 - 10kg (depending on size and specification)
- Windage: 0.17m² / 0.18m² / 0.20m² (depending on size)
- Recommended mounting height: 3-8 metres
- Suspended mounting on 1 ¼ BSPP thread

Choose from:

- Optional top finial
- Standard or marine-grade coating
- Available powder coated to any RAL colour
- Miniature photocell or CMS
- Range of light shields available
- Range of thread sizes available

Optic options:



Varoptic®



Soft COB

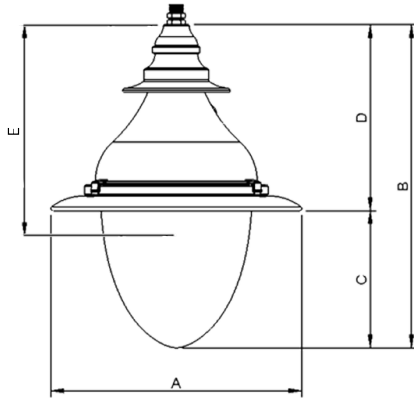


Jewel



LED Array

Specification



	Small	Medium	Large
A	585mm	650mm	700mm
B	710mm	700mm	750mm
C	280mm	265mm	312mm
D	430mm	430mm	430mm
E	464mm	464mm	464mm

	Varoptic®	Jewel	Soft COB	LED Array	Notes
Optical					
Lumen output range	350-6000Lm	200-2100Lm	1000-7700Lm	1000 - 17000Lm	
Colour Temperature	2700k / 3000k	2200k	3000k / 4000k	2200k / 2700k / 3000k / 4000k	Others available on request
CRI	70	70	70	70	
S/P Ratio	1.2 - 1.27	1.0	1.2 - 1.5	1 - 1.5	2200k = 1 2700k = 1.2 3000k = 1.27 4000k = 1.5
Distribution Options	ISENA Type II, III & V	Area	ISENA Type II, III & V	ISENA Type II, III & V	
LM-80	L90B10	L90B10	L90B10	L90B10	>100,000Hrs

Electrical					
Power range	3.5-75W	2 - 27W	8 - 52W	10 - 110W	
Input Voltage	220 - 240V	220 - 240V	220 - 240V	220 - 240V	
Power Factor	>0.97	>0.95	>0.97	>0.97	
Frequency	50 / 60Hz	50 / 60Hz	50 / 60Hz	50 / 60Hz	

Luminaire Characteristics		
Classification	Class 1	
Control	10 - 100%	Pre-set, DALI, Profile, Line Switch, 4 step
Temperature Range	-20 to +25 °C	Testing based on 25°C ambient, higher temperatures will impact LM-80 results